

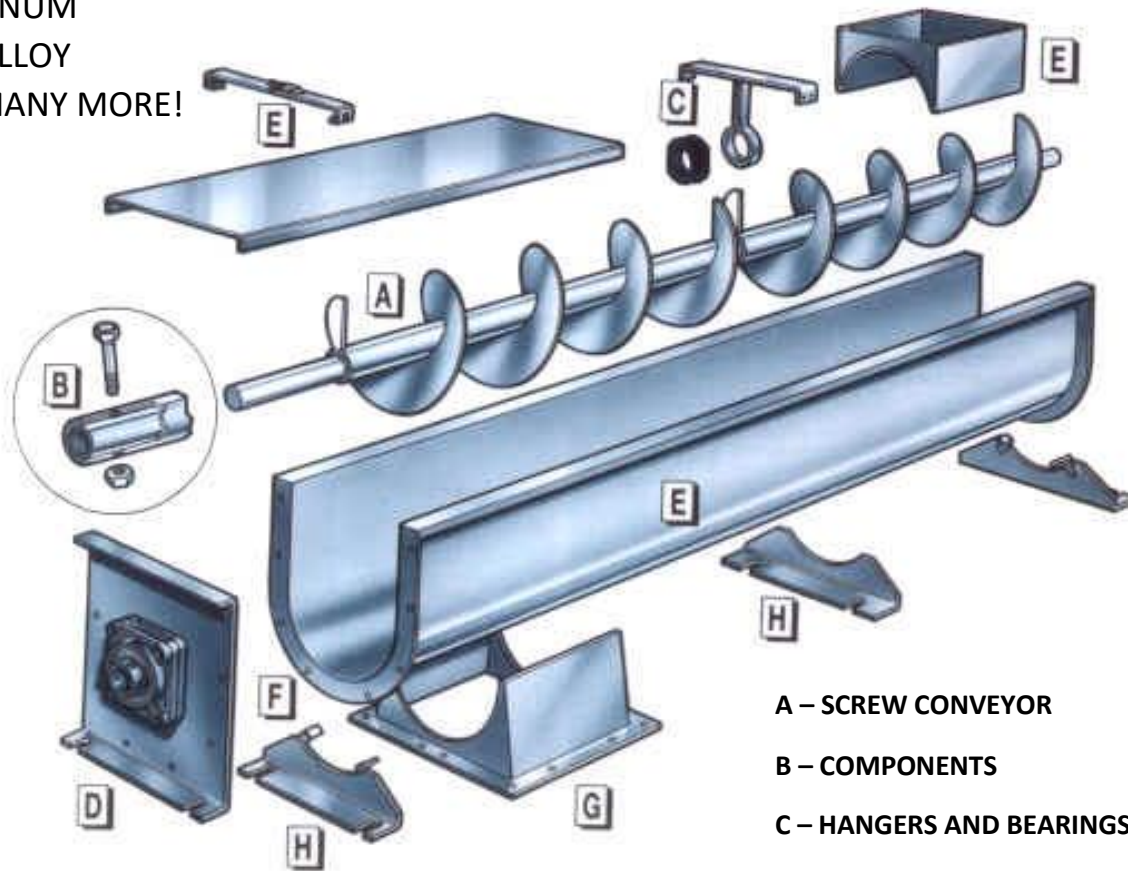


Outlook Enterprises, LLC

THE FUTURE OF DISTRIBUTION

SCREW CONVEYOR ASSEMBLIES

- MILD STEEL
- STAINLESS STEEL
- GALVANIZED STEEL
- ALUMINUM
- HASTALLOY
- AND MANY MORE!



- A – SCREW CONVEYOR
- B – COMPONENTS
- C – HANGERS AND BEARINGS
- D – TROUGH ENDS
- E – TROUGHS, COVERS, CLAMPS, SHROUDS
- F – FLANGE
- G – DISCHARGE SPOUTS
- H – SUPPORTING FEET AND SADDLES